

ERC-1005

Modular design fanless embedded PC.



1
Embedded Boards & Industrial Computers

2
Embedded Systems

3
Communications & Network Application Platform

4
Rugged Computers

Features

- Onboard Intel® ATOM™ D525/N455 processor;
- 10 x COM port, dual VGA+LVDS display; 32-channel GPIO (16-channel isolated; 16-channel non-isolated);
- 2 x 1000Mbps RJ45 network port (one supports Wake-On-LAN);
- Supports DC12V~24V input, to meet power supply requirements of different users;
- The system structure deploys flexible modular design: functional modules can be replaced to meet more requirements;
- Adopts pin hole connectors, which ensures high reliability;
- Equipped with a flexible installation bracket, or a 90° swivelable support, which facilitates user maintenance;

Specifications

System

Processor	Onboard Intel® ATOM™ D525/N455 processor
Chipset	Intel® ATOM™ D525/N455 + ICH8M
Memory	Onboard DDRIII 800MHZ 2G memory

Storage

IDE	N/A
CF	1 x CF card slot
Serial ATA	2 x Serial ATA 2.0

I/O Interface

USB	6 x USB2.0 port
Serial Port	10 x RS-232 COM port, including 3 x RS-232/422/485 port
Parallel Port	1 x LPT
GPIO	2 x 16-channel GPIO port: GPIO1 is digital GPIO; GPIO2 is isolated GPIO
Audio	One group of audio ports, supporting MIC-IN/LINE-OUT
PS/2	1 x PS/2

Display

Chipset	CPU integrated graphics controller display chip
Resolution	VGA1: 2048 x1536@60Hz; VGA2&LVDS: 1280 x800
Dual Display	VGA+LVDS

Ethernet

Chipset	2 x Realtek,RTL8011E
Speed	2 x 10/100/1000Mbps
Connector	2 x RJ45 ,LAN1 support Wake-On-LAN

Mechanical and Environment

Dimensions (W x H x D)	245mm x 117.8mm x 196mm
Reliability	MTBF ≥50000H; MTTR ≤20min
Operating Temperature	-20°C~65°C; (CF card, SSD) 0°C~40°C (mechanical hard drive)
Storage Temperature	-40°C~60°C
Operating Humidity	5%~90% 40°C (non-condensing)

Power

Power supply	Supports DC12V~24V wide voltage power input
--------------	---

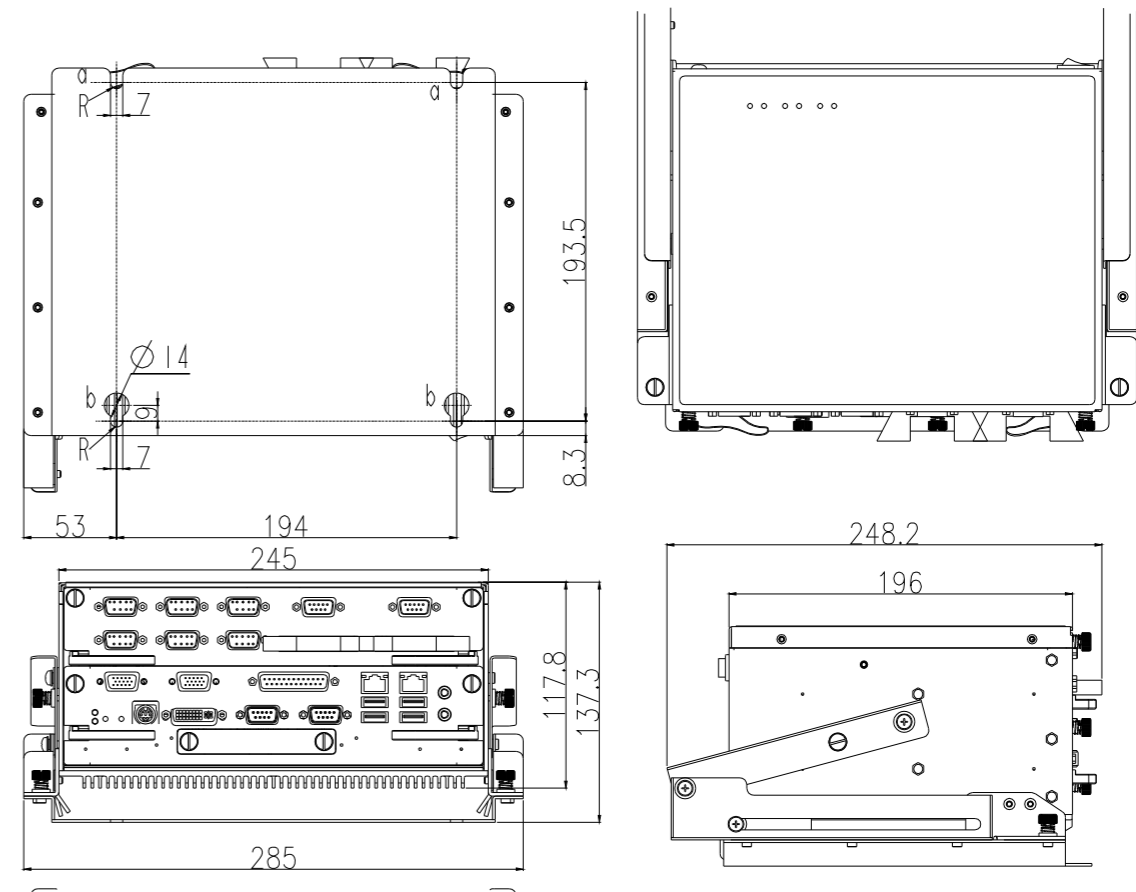
Operating System

Windows OS	WIN XP,WIN 7
Embedded OS	Linux

Test

Vibration	Amplitude 5-17Hz/1.0mm;Acceleration:17-200Hz/1.0g
Shock	10g peak acceleration(11ms duration)
EMC/EMI	GB4943-2001 Class A

Dimensions



1
Embedded Boards & Industrial Computers

2
Embedded Systems

3
Communications & Network Application Platform

4
Rugged Computers

Ordering Information

Part Number	Model Number	Description
0010-041921	ERC-1005-01	Low power fanless embedded PC/ATOM N455 1.6G/2G memory/10 x COM port/1 x LPT/1 x PS/32-channel GPIO/2 x VGA/1 x LVDS/2 x LAN port/one group of Audio ports/6 x USB/4G CF/DC12~24V input/90° swivelable support
0010-041931	ERC-1005-02	Low power fanless embedded PC/ATOM D525 1.8G/2G memory/10 x COM port/1 x LPT/1 x PS/32-channel GPIO/2 x VGA/1 x LVDS/2 x LAN port/one group of Audio ports/6 x USB/4G CF/DC12~24V input/90° swivelable support
0010-042451	ERC-1005-03	Low power fanless embedded PC/ATOM D525 1.8G/2G memory/10 x COM port/1 x LPT/1 x PS/32-channel GPIO/2 x VGA/1 x LVDS/2 x LAN port/one group of Audio ports/6 x USB/500G HDD/DC12~24V input/90W adapter/fix support